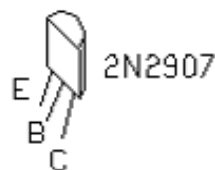
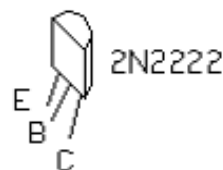
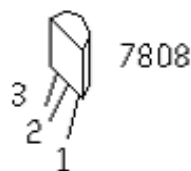
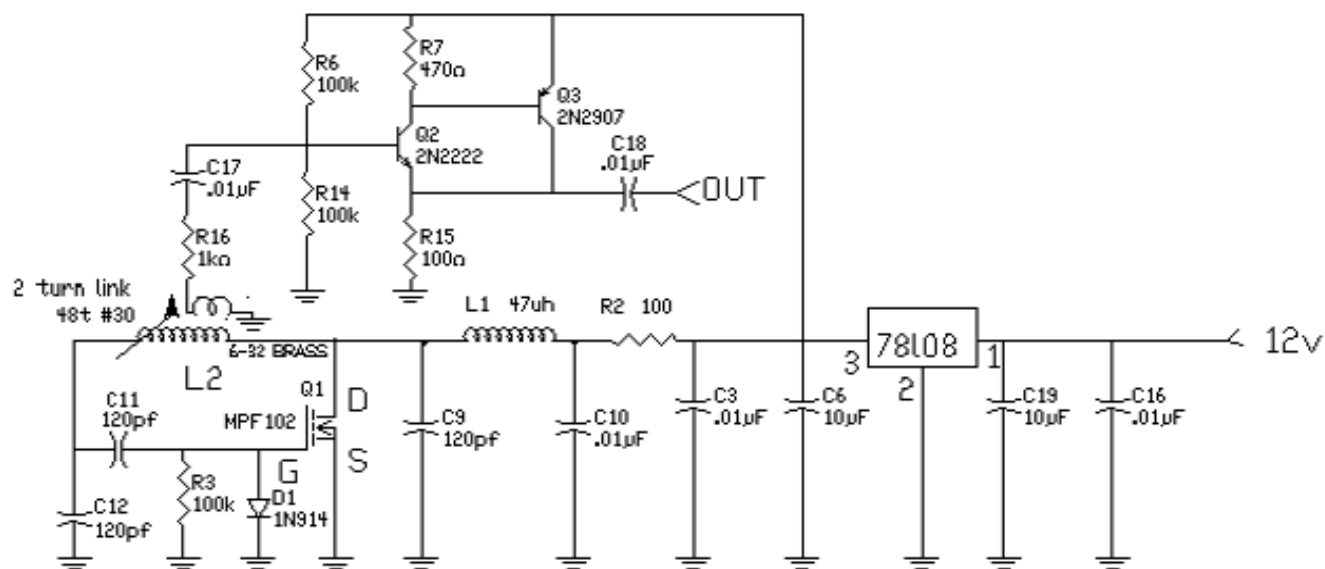


# WA60TP PTO/VFO



<http://www.wa60tp.com>

Co:	SHAN CREEK		
Title:	40 METER PTO		
Board:	1A	Revision:	<input type="checkbox"/>
Author:	jam	Size:	A
Date:	5-15-2002	Sheet	1 of